



TC-H326S Spec:33X/I/E+/A/V3.0

2MP 33X IR PTZ Camera

Pro Series



KEY FEATURES

- Up to 2MP,1920×1080@30fps
- Color:0.001lux@ (F1.6,AGC ON),B/W:0lux with IR
- S+265/H.265/H.264B/H.264M/H.264H/Motion JPEG
- Optical zoom 33X
- IR range up to 200m
- Built-in Micro SD card slot,up to 512 GB
- Support smart surveillance, detect up to 32 faces at the same scene
- Support human/vehicle classification
- Operating conditions -40°C~70°C(-40°F~158°F), ≤95%RH
- DC12V±10%, PoE:IEEE 802.3at
- IP66

DREAM MULTIMEDIA

<https://dmm-tv.com/>

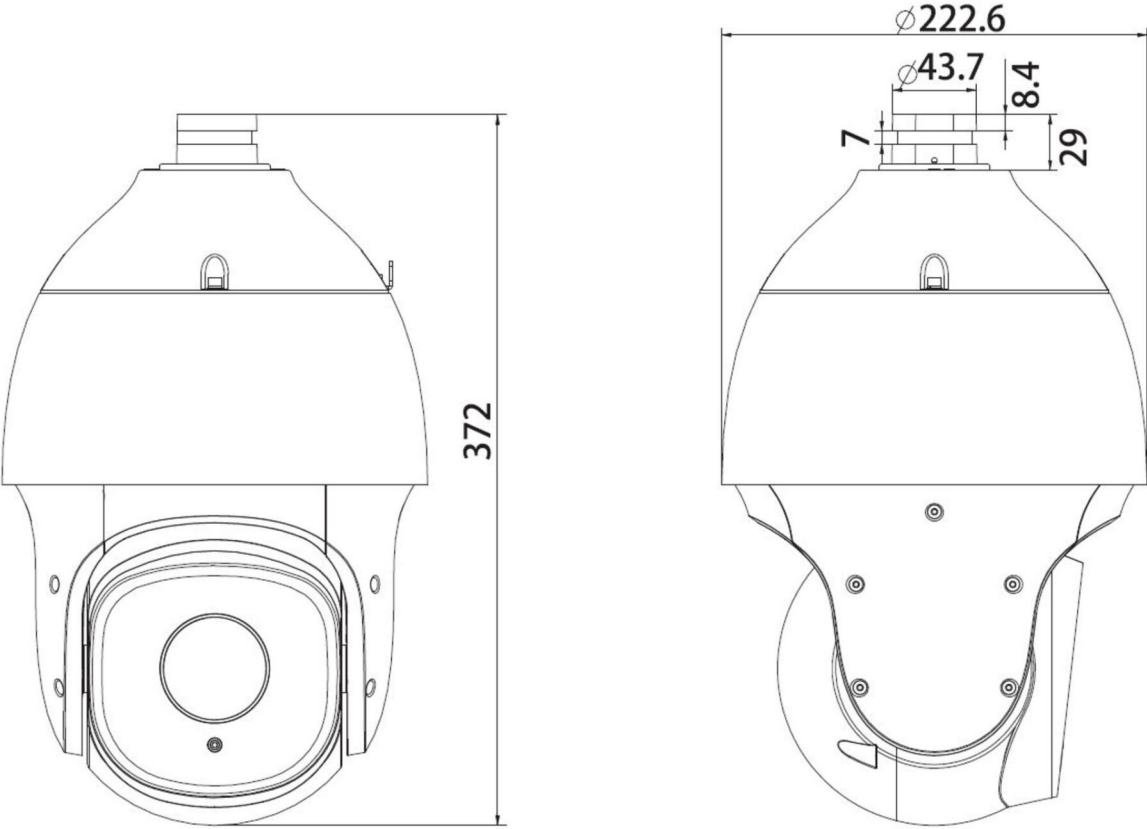
SPECIFICATIONS

| Camera | |
|----------------------|--|
| Image Sensor | 1/2.8"CMOS |
| Min. Illumination | Color:0.001lux@ (F1.6,AGC ON),B/W:0lux with IR |
| Shutter Time | 1s~1/100000s |
| Day&Night | IR-cut filter with auto switch (ICR) |
| Smart IR | Yes |
| WDR | 120dB |
| S/N | 42dB |
| Lens | |
| Focal Length | 4.6mm~152mm |
| Optical Zoom | 33X |
| Digital Zoom | 16X |
| Zoom Speed | <5s |
| Aperture Range | F1.6~F4.3 |
| Aperture Type | Auto(P-Iris) |
| Field of View | 60°~2.4°(H); 34.4°~1.4°(V); 66.7°~2.8°(D) |
| Focus Control | Auto/Semi-auto/Manual |
| Close Focus Distance | 100mm~1500mm |
| DORI Distance | Detect:1793m Observe:711m Recognize:358m Identify:179m |
| Pan&Tilt | |
| Pan Range | 360° |
| Pan Speed | Manual Speed:0.1°~180°/s Preset Speed:240°/s |
| Tilt Range | -16°~90° (Default -3°~90°) |
| Tilt Speed | Manual Speed:0.1°~120°/s Preset:120°/s |
| 3D Position | Yes |
| Preset | 500 |
| Cruise | 16,up to 32 presets per cruise |
| Scan | 8 |
| Pattern | 8,each with 600s memory or 1000 orders |
| Scheduled Task | Preset,Cruise,Scan,Pattern |
| North Point | Yes(Manual setting) |
| Power-off Memory | Yes |
| Illuminator | |
| IR LEDs | 10 |
| IR Distance | Up to 200m |
| Wavelength | 850nm |
| IR Irradiation Angle | Yes |
| Compression Standard | |
| Video Compression | S+265/H.265/H.264B/H.264M/H.264H/Motion JPEG |

| | |
|--------------------------|--|
| Video Bit Rate | 32Kbps~16Mbps |
| Audio Compression | G.711A/G.711U/ADPCM_D/AAC_LC |
| Audio Sampling Rate | 8KHz/32KHz/48KHz |
| Image | |
| Max. Resolution | 2MP,1920×1080@30fps |
| Main Stream | PAL:25fps(1920×1080,1280×960,1280×720,640×480,704×576) NTSC:30fps(1920×1080,1280×960,1280×720,640×480,704×480) |
| Sub Stream | PAL:25fps(704×576,704×288,640×360,352×288) NTSC:30fps(704×480,704×240,640×360,352×240) |
| Third Stream | PAL: 25fps(1920×1080,1280×960,1280×720,704×576,640×480,704×288,352×288) NTSC: 30fps(1920×1080,1280×960,1280×720,704×480,640×480,704×240,352×240) |
| BLC | Yes |
| HLC | Yes |
| AGC | Yes |
| 3DNR | Yes |
| White Balance | Auto/Semi-Auto/Manual/Sunshine/Nature Light/Warmlight Lamp/Daylight Lamp/Filament Lamp/Lock White Balance |
| ROI | 7 rectangular 3D fixed focus areas,supporting 1 rectangular dynamic tracking ROI |
| OSD | 5 regions(Each region can have a maximum of 127 characters ,up to 5 lines); 16*16/24*24/32*32/48*48/64*64/adaptable size; Vector/Lattice |
| Defog | Yes |
| Flip | Normal/Horizontal Mirror/Vertical Mirror/Inverted Flip |
| Regional Exposure | Yes |
| Regional Focus | Yes |
| Demist | Yes |
| Privacy Mask | 24 regions(Up to 4 blocks in the same scene) |
| Feature | |
| General Alarm | Motion Detection; Mask Alarm; Alarm Input |
| Exceptions Alarm | Voltage Alarm; Disk Full; Disk R/W Error; Recording Exception; IP Address Conflict; MAC Address Conflict; FTP Server Exception ; Network cable disconnected |
| Linkage Method | Send Email; Trigger Sound; Trigger Recording; Trigger Capture; Notify Surveillance Center; Alarm Output |
| Video Analytics | Human/Vehicle Classification; Tripwire; Double Tripwire; Perimeter; Object Abandon; Object Missing; Heatmap; Loitering; Running; Parking; People Counting; Crowded Detection; Safety Helmet Detection; On Duty Detection; Video Abnormal; Audio Abnormal |
| Auto-Tracking | Yes |
| Face Mode | Face Capture |
| Face Capture Performance | Detect up to 32 faces at the same scene; Capture up to 16 faces at the same scene; |
| Network | |

| | |
|-------------------------|---|
| ANR | Yes |
| Protocols | HTTP; HTTPS; TCP/IP; UDP; UPnP; ICMP; IGMP; SNMP v1\v2\v3; DHCP; DNS; DDNS; Easy DDNS; NTP; SMTP; TLS v1.2; SSL; 802.1x; QoS; IPv4; IPv6; PPPoE; SSH; Unicast; Multicast; ARP; RTP; SRTP; FTP; SFTP |
| System Compatibility | P2P; ONVIF(Profile S/T/G/M); SDK; CGI; Milestone; RTSP; RTMP |
| Remote Connection | ≤7 |
| User/Host | Up to 32 users. 4 user levels |
| Client | Easy7 VMS |
| Moblie Client | EasyLive Plus |
| Web | IE10+; Firefox52+; Edge89+; Safari11+; Chrome57+ |
| Interface | |
| Communication Interface | 1*RJ45 (10/100Base-T) |
| Audio I/O | 1*Input Impedance 1kΩ,2.0~2.4Vp-p; 1*Output Impedance 600Ω |
| Alarm I/O | 1*Switching; 1*Switching,Voltage≤DC24V,Current≤1A |
| Reset Button | Yes |
| On-board Storage | Built-in Micro SD card slot,up to 512 GB |
| General | |
| Web Client Language | 19 languages Simple Chinese/English/Traditional Chinese/Spanish/Italian/ Korean/Turkish/Russian/Thai/ Polish/ French/Dutch/ Hebraism/Vietnamese/Arabic/German/ Ukrainian /Portuguese/Albanian |
| Operating Temperature | -40°C~70°C(-40°F~158°F) |
| Operating Humidity | ≤95%RH |
| Storage Temperature | -40°C~70°C(-40°F~158°F) |
| Storage Humidity | 10%~95%RH(non-condensing) |
| Power Supply | DC12V±10%; PoE:IEEE 802.3at |
| Power Consumption | 14W(IR OFF) ; 24W(IR ON) |
| Protection | Surge4000V; ESD6000V; IP66 |
| Material | Metal |
| Boundary Dimensions | 222mm(D)x372mm(H) |
| Package Dimensions | 320(L)320(W)520(H)mm |
| GrossWeight | 7.8Kg |
| NetWeight | 5.3Kg |

DIMENSIONS (Unit: mm)



Assembly diagram of Junction Box

