



TC-C35VN Spec:I3/E/Y/1.4mm/V4.2

5MP Fixed IR Fisheye Camera

Lite Series



KEY FEATURES

- Metal+plastic housing
- Up to 5MP,2592×1944@30fps
- S+265/H.265/H.264B/H.264M/H.264H/Motion JPEG
- Color:0.02Lux@(F2.0,AGC ON),B/W:0Lux with IR
- IR range up to 30m
- Built-in Mic
- Support microSD/microSDHC/microSDXC card, up to 512GB
- Support smart surveillance
- Operating conditions -40°C~65°C(-40°F~149°F), ≤95%RH
- DC12V±25%,Max. 8.5W, PoE:IEEE 802.3af,Max. 9.5W

DREAM MULTIMEDIA

<https://dmm-tv.com/>

SPECIFICATIONS

Camera	
Image Sensor	1/2.7"CMOS
Min. Illumination	Color:0.02Lux@(F2.0,AGC ON),B/W:0Lux with IR
Shutter Time	1s~1/100000s
Day&Night	IR-cut filter with auto switch (ICR)
Smart IR	Yes
WDR	120dB
S/N	>39dB
Lens	
Lens Type	Fixed focal lens
Focal Length	1.4mm
Lens Mount	M12
Aperture Range	F2.0
Aperture Type	Fixed
Field of View	180°(H); 180°(V); 180°(D)
DORI Distance	Detect:24m Observe:9m Recognize:4.8m Identify:2.5m
Illuminator	
IR LEDs	3
IR Distance	Up to 30m
Wavelength	850nm
Compression Standard	
Video Compression	S+265/H.265/H.264B/H.264M/H.264H/Motion JPEG
Video Bit Rate	32k~16Mbps
Audio Compression	G.711A/G.711U/ADPCM_D/AAC_LC
Audio Sampling Rate	8kHz/32kHz/48kHz
Image	
Max. Resolution	5MP,2592×1944@30fps
Main Stream	PAL:25fps(2592×1944, 2560×1440, 1920×1080, 1280×720) NTSC:30fps(2592×1944, 2560×1440, 1920×1080, 1280×720)
Sub Stream	PAL:25fps(704×576, 704×288, 640×360, 352×288) NTSC:30fps(704×480, 704×240, 640×360, 352×240)
Third Stream	PAL:25fps(1920×1080, 1280*720) NTSC:30fps(1920×1080, 1280*720)
BLC	Yes
HLC	Yes
AGC	Yes
3D DNR	Yes
White Balance	Auto/Semi-Auto/Manual/Sunshine/Nature Light/Warmlight Lamp/Daylight Lamp/Filament Lamp/Lock White Balance

ROI	8 rectangular static areas
OSD	Overlay of additional characters in 5 regions, 2 lines, with a maximum of 127 characters or 42 Chinese characters per region; 16*16/32*32/48*48/64*64/96*96
Picture Overlay	1*200x200 size BMP 24 color bit image overlay
Privacy Mask	4 black static areas
Defog	Yes

Feature

General Alarm	Motion Detection; Mask Alarm; Alarm Input
Exceptions Alarm	Voltage Alarm; Disk Full; Disk R/W Error; IP Address Conflict; MAC Address Conflict; FTP Server Exception
Linkage Method	Send Email; Trigger Sound; Trigger Recording; Trigger Capture; Notify Surveillance Center; Alarm Output
Video Analytics	Tripwire; Perimeter; Heatmap
Rules of Behavior Analyse In 1 Scene	8

Network

ANR	Yes
Protocols	HTTP; HTTPS; TCP/IP; UDP; UPnP; ICMP; IGMP; SNMP v1\v2\v3; DHCP; DNS; DDNS; Easy DDNS; NTP; SMTP; TLS v1.2; SSL; 802.1X; QoS; IPv4; IPv6; PPPoE; SSH; Unicast; Multicast; RTCP; ARP; SRTP; FTP; SFTP
System Compatibility	ONVIF(Profile S/T/G) ; SDK; CGI; Milestone; RTSP; RTMP
Remote Connection	≤2
Client	Easy7 VMS
Moblie Client	EasyLive Plus
Web	IE10+; Firefox52+; Edge89+; Safari11+; Chrome57+

Interface

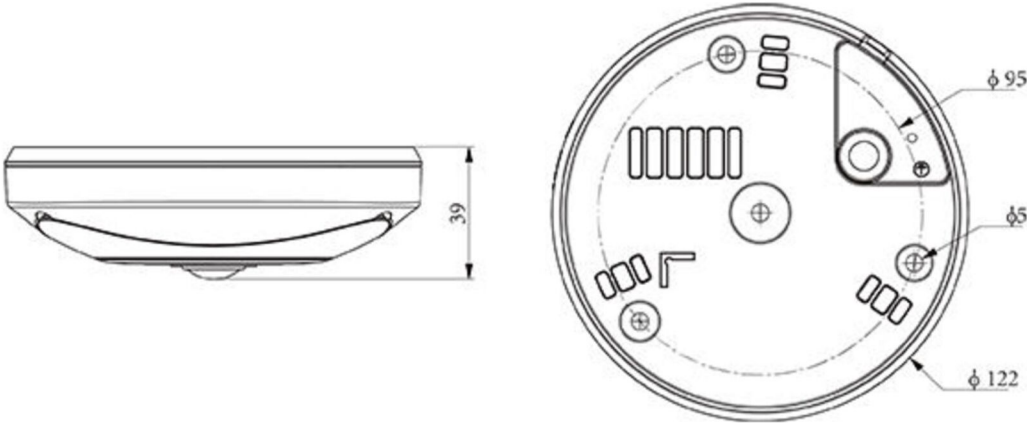
Communication Interface	1*RJ-45 (10/100 Base-T)
Audio I/O	1; 1
Alarm I/O	1-ch,TTL input,3mA,3.3VDC; 1-ch,TTL output,30mA,12VDC
Built-in Mic	Yes
Reset Button	Yes
On-board Storage	Support microSD/microSDHC/microSDXC card,up to 512GB
RTC	Yes

General

Web Client Language	17 languages Simple Chinese/Traditional Chinese/English/Spanish/Korean/Italian/Turkish/Russian/Thai/French/ Polish/Dutch/Hebrew/Arabic/Vietnamese/German/Ukrainian
Operating Temperature	-40°C~65°C(-40°F~149°F)
Operating Humidity	≤95%RH
Storage Temperature	-40°C~65°C(-40°F~149°F)
Storage Humidity	10%~95%RH(non-condensing)
Power Supply	DC12V±25%,Max. 8.5W; PoE:IEEE 802.3af,Max. 9.5W
Protection	Surge4000V; ESD6000V

Boundary Dimensions	122(L)122(W)39(H)mm
Package Dimensions	140(L)140(W)120(H)mm
GrossWeight	0.416kg

DIMENSIONS (Unit: mm)



Assembly diagram of Junction Box



TC-P54BM Spec:Fisheye/V1



A36_V5.0



A29