



## TC-C35LP Spec:I8W/A/E/Y/M/H/2.7-13.5mm/V4.0

5MP Motorized Color Maker Bullet Camera

Pro Series



### KEY FEATURES

- Metal housing
- Up to 5MP,3072×1728@30fps
- S+265/H.265/H.264B/H.264M/H.264H/Motion JPEG
- Color:0.0004Lux@(F1.3,AGC ON),B/W:0Lux with IR
- IR range up to 80m
- Built-in Mic, Built-in Speaker
- Support microSD/microSDHC/microSDXC card,up to 512GB
- Support smart surveillance, face capture
- Support human/vehicle classification
- Operating conditions -40°C~65°C(-40°F~149°F), ≤95%RH
- DC12V±25%,Max. 14W, PoE:IEEE 802.3at,Max. 15.5W
- IP67

# DREAM MULTIMEDIA

<https://dmm-tv.com/>

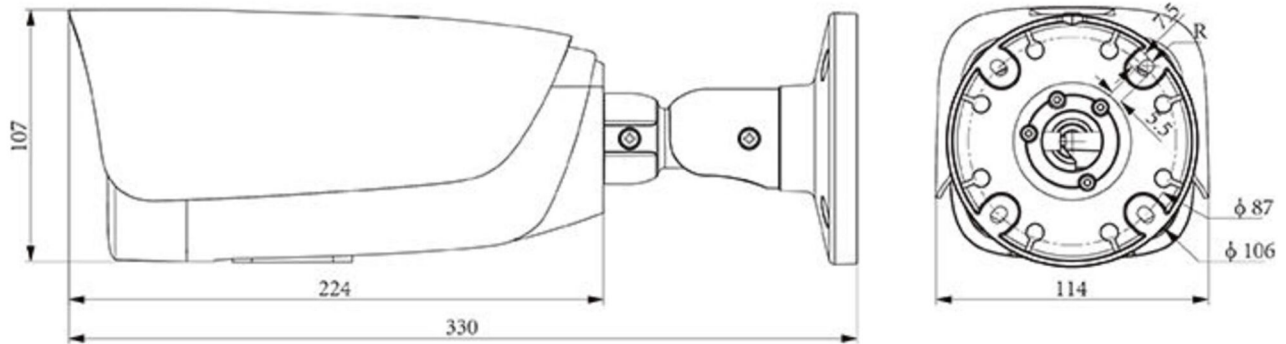
## SPECIFICATIONS

Camera	
Image Sensor	1/1.8"CMOS
Min. Illumination	Color:0.0004Lux@(F1.3,AGC ON),B/W:0Lux with IR
Shutter Time	1s~1/100000s
Day&Night	IR-cut filter with auto switch (ICR)
Smart IR	Yes
WDR	120dB
S/N	>43dB
Angle Adjustment	0~360°(P); 0~90°(T); 0~360°(R)
Lens	
Lens Type	Motorized
Focal Length	2.7~13.5mm
Aperture Range	F1.3
Aperture Type	Auto(DC-Iris)
Field of View	106.9°~48.7°(H); 57.2°~27.4°(V); 121.2°~55.9°(D)
DORI Distance	Detect:37m~160m Observe:14.5m~63.5m Recognize:7.5m~32m Identify:3.5m~16m
Illuminator	
IR LEDs	4
IR Distance	Up to 80m
Wavelength	850nm
White LEDs	3
Whitelight Distance	15m
Compression Standard	
Video Compression	S+265/H.265/H.264B/H.264M/H.264H/Motion JPEG
Video Bit Rate	32k~16Mbps
Audio Compression	G.711A/G.711U/ADPCM_D/AAC_LC
Audio Sampling Rate	8kHz/32kHz/48kHz
Image	
Max. Resolution	5MP,3072×1728@30fps
Main Stream	PAL:25fps(3072×1728, 2560×1440, 2304×1296) 50fps(1920×1080, 1280×720) NTSC:30fps(3072×1728, 2560×1440, 2304×1296) 60fps(1920×1080, 1280×720)
Sub Stream	PAL:25fps(704×576, 704×288, 640×360, 352×288) NTSC:30fps(704×480, 704×240, 640×360, 352×240)
Third Stream	PAL:25fps(1920×1080, 1280×720, 704×576, 704×288, 352×288) NTSC:30fps(1920×1080, 1280×720, 704×480, 704×240, 352×240)
BLC	Yes
HLC	Yes

AGC	Yes
3D DNR	Yes
White Balance	Auto/Semi-Auto/Manual/Sunshine/Nature Light/Warmlight Lamp/Daylight Lamp/Filament Lamp/Lock White Balance
ROI	8 rectangular static areas
Corridor Mode	Yes
OSD	Overlay of additional characters in 5 regions, 2 lines, with a maximum of 127 characters or 42 Chinese characters per region; 16*16/32*32/48*48/64*64/96*96
Picture Overlay	1*200x200 size BMP 24 color bit image overlay
Privacy Mask	4 black static areas
Defog	Yes
<b>Feature</b>	
General Alarm	Motion Detection; Mask Alarm; Alarm Input
Exceptions Alarm	Voltage Alarm; Disk Full; Disk R/W Error; IP Address Conflict; MAC Address Conflict; FTP Server Exception
Linkage Method	Send Email; Trigger Sound; Trigger Warmlight; Trigger Recording; Trigger Capture; Notify Surveillance Center; Alarm Output
Video Analytics	Human/Vehicle Classification; Tripwire; Double Tripwire; Perimeter; Object Abandon; Object Lost; Heatmap; Loitering; Running; Parking; People Counting; Crowded; Safety Helmet Detection; On Duty Detection; Video Abnormal; Audio Abnormal
Rules of Behavior Analyse In 1 Scene	8
Early Warning(EW)	Yes
Face Mode	Face Capture
Face Detection Performance	Detect up to 32 faces at the same scene; Capture up to 16 faces at the same scene
<b>Network</b>	
ANR	Yes
Protocols	HTTP; HTTPS; TCP/IP; UDP; UPnP; ICMP; IGMP; SNMP v1\v2\v3; DHCP; DNS; DDNS; Easy DDNS; NTP; SMTP; TLS v1.2; SSL; 802.1X; QoS; IPv4; IPv6; PPPoE; SSH; Unicast; Multicast; RTCP; ARP; SRTP; FTP; SFTP
System Compatibility	ONVIF(Profile S/T/G/M) ; SDK; CGI; Milestone; RTSP; RTMP
Remote Connection	≤7
Client	Easy7 VMS
Moblle Client	EasyLive Plus
Web	IE10+; Firefox52+; Edge89+; Safari11+; Chrome57+
<b>Interface</b>	
Communication Interface	1*RJ-45 (10/100 Base-T)
Audio I/O	1; 1
Alarm I/O	2-ch,TTL inputs,3mA,3.3VDC; 1-ch,relay output,1A,24VDC
Built-in Mic	Yes
Built-in Speaker	Yes
Reset Button	Yes
On-board Storage	Support microSD/microSDHC/microSDXC card,up to 512GB

RTC	Yes
Additional Interfaces	RS-485
<b>General</b>	
Web Client Language	19 languages Simple Chinese/Traditional Chinese/English/Spanish/Korean/Italian/Turkish/Russian/Thai/French/ Polish/Dutch/Hebrew/Arabic/Vietnamese/German/Ukrainian/Portuguese/Albanian
Operating Temperature	-40°C~-65°C(-40°F~149°F)
Operating Humidity	≤95%RH
Storage Temperature	-40°C~-65°C(-40°F~149°F)
Storage Humidity	10%~95%RH(non-condensing)
Power Supply	DC12V±25%,Max. 14W; PoE:IEEE 802.3at,Max. 15.5W
Protection	Surge4000V; ESD6000V; IP67
Boundary Dimensions	327(L)114(W)105(H)mm
Package Dimensions	360(L)150(W)170(H)mm
GrossWeight	1.83kg

## DIMENSIONS (Unit: mm)



## Assembly diagram of Junction Box



A22



A35\_V5.0



A36\_V5.0