



## TC-C34KN Spec:I3/A/E/Y/2.8-12mm/V4.2

4MP Motorized IR Dome Camera

SuperLite Series



### KEY FEATURES

- Plastic housing
- Up to 4MP, 2688×1520@25fps
- S+265/H.265/H.264B/H.264M/H.264H
- Color: 0.02Lux@(F1.6, AGC ON), B/W: 0Lux with IR
- IR range up to 30m
- Built-in Mic
- Support microSD/microSDHC/microSDXC card, up to 512GB
- Operating conditions -30°C~60°C(-22°F~140°F), ≤95%RH
- DC12V±25%, Max. 6.5W, PoE: IEEE 802.3af, Max. 7W
- IP66

# DREAM MULTIMEDIA

<https://dmm-tv.com/>

## SPECIFICATIONS

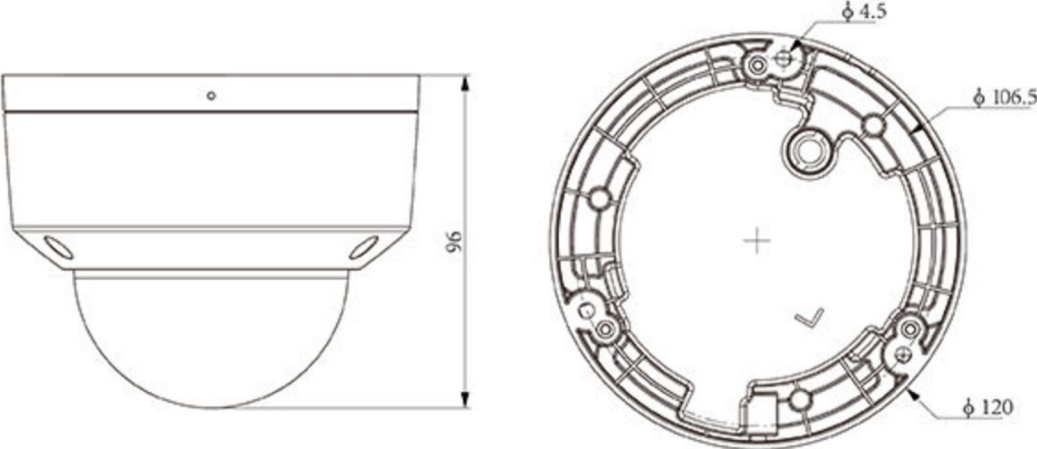
Camera	
Image Sensor	1/2.9"CMOS
Min. Illumination	Color:0.02Lux@(F1.6,AGC ON),B/W:0Lux with IR
Shutter Time	1s~1/100000s
Day&Night	IR-cut filter with auto switch (ICR)
Smart IR	Yes
WDR	120dB
S/N	>40dB
Angle Adjustment	0~350°(P); 0~70°(T); 0~350°(R)
Lens	
Lens Type	Motorized
Focal Length	2.8~12mm
Lens Mount	Φ14
Aperture Range	F1.6
Aperture Type	Fixed
Field of View	104.7°~30.3°(H); 56.5°~17.2°(V); 120.9°~34.8°(D)
DORI Distance	W: Detect:56.0m Observe:22.2m Recognize:11.2m Identify:5.6m T: Detect:240.0m Observe:95.2m Recognize:48.0m Identify:24.0m
Illuminator	
IR LEDs	4
IR Distance	Up to 30m
Wavelength	850nm
Compression Standard	
Video Compression	S+265/H.265/H.264B/H.264M/H.264H
Video Bit Rate	32k~6Mbps
Audio Compression	G.711A/G.711U
Audio Sampling Rate	8kHz
Image	
Max. Resolution	4MP,2688×1520@25fps
Main Stream	PAL:25fps(2688×1520, 2560×1440, 2304×1296, 1920×1080, 1280×720) NTSC:24fps(2688×1520, 2560×1440), 30fps(2304×1296, 1920×1080, 1280×720)
Sub Stream	PAL:25fps(704×576, 704×288, 640×360, 352×288) NTSC:30fps(704×480, 704×240, 640×360, 352×240)
BLC	Yes

HLC	Yes
AGC	Yes
3D DNR	Yes
White Balance	Auto/Semi-Auto/Manual/Sunshine/Nature Light/Warmlight Lamp/Daylight Lamp/Filament Lamp/Lock White Balance
ROI	8 rectangular static areas
OSD	Overlay of additional characters in 1 regions, 1 line, with a maximum of 48 characters or 16 Chinese characters per region; 16*16/32*32/48*48/64*64
Privacy Mask	4 black static areas
Defog	Yes
<b>Feature</b>	
General Alarm	Motion Detection; Mask Alarm
Exceptions Alarm	Disk Full; Disk R/W Error; IP Address Conflict
Linkage Method	Trigger Recording; Trigger Capture; Notify Surveillance Center; Alarm Output
Video Analytics	Tripwire; Perimeter
Rules of Behavior Analyse In 1 Scene	2
<b>Network</b>	
ANR	Yes
Protocols	HTTP; HTTPS; TCP/IP; UDP; UPnP; ICMP; DHCP; DNS; DDNS; Easy DDNS; NTP; TLS v1.2; QoS; IPv4; SSH; Unicast; FTP
System Compatibility	P2P(Mutually exclusive with Profile G); ONVIF(Profile S/T/G) ; SDK; CGI; Milestone; RTSP
Remote Connection	≤2
Client	Easy7 VMS
Moblle Client	EasyLive Plus
Web	IE10+; Firefox52+; Edge89+; Safari11+; Chrome57+
<b>Interface</b>	
Communication Interface	1*RJ-45 (10/100 Base-T)
Built-in Mic	Yes
Reset Button	Yes(Built-in)
On-board Storage	Support microSD/microSDHC/microSDXC card,up to 512GB
RTC	Yes
<b>General</b>	
Web Client Language	19 languages Simple Chinese/Traditional Chinese/English/Spanish/Korean/Italian/Turkish/Russian/Thai/French/Polish/Dutch/Hebrew/Arabic/Vietnamese/German/Ukrainian/Portuguese/Albanian
Operating Temperature	-30°C~60°C(-22°F~140°F)
Operating Humidity	≤95%RH
Storage Temperature	-30°C~60°C(-22°F~140°F)
Storage Humidity	10%~95%RH(non-condensing)
Power Supply	DC12V±25%,Max. 6.5W; PoE:IEEE 802.3af,Max. 7W
Protection	Surge4000V; ESD6000V; IP66
Boundary Dimensions	120(L)120(W)96(H)mm

Package Dimensions 140(L)140(W)120(H)mm

GrossWeight 0.5kg

### DIMENSIONS (Unit: mm)



### Assembly diagram of Junction Box