

Click object to rotate

## BLACK Unicable

Unicable Quad 40mm LNB, 2 Legacy (1 splitter\*)

IDLB-QUDL42-UNI2L-0PP

IDLB-QUDL42-UNI2L-1PP (Inc. 1 splitter)

A member of the innovative and award winning Unicable LNB series this highly competitive product enables the connection of up to 4 STBs using a single cable (providing STBs are Unicable compliant) over its Unicable port as well as two more STB over its “Legacy” port.

The product is supplied with one splitter unit (optional) for a flexible distribution of the satellite signal at home. It was specifically designed for the European DTH markets, and provides optimized reception capabilities for High Definition transmissions. Manufactured to the highest industry quality standards and with excellent noise figure and phase noise performance, this LNB is an ideal solution for multi-room satellite reception and is a product of choice for most leading digital satellite TV operators across Europe. For more information on the Unicable technology and its advantages please refer to: [www.inverto.tv/unicable](http://www.inverto.tv/unicable)

Unicable  
Quad 40mm

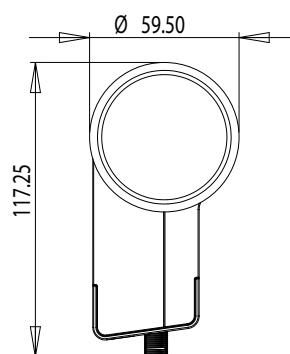
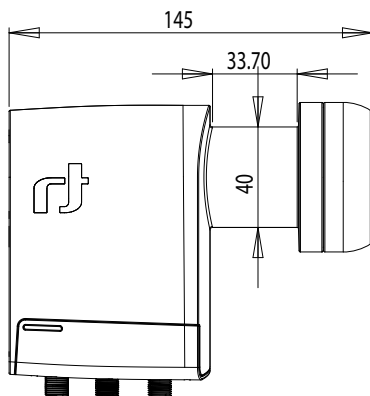
### Main Features

- Low phase Noise HDTV-DVBS2 compliant
- Low Power consumption
- Very high Cross-Pole performance
- Very high Frequency stability
- 2 Legacy ports

  
UNICABLE  
TECHNOLOGY

## Technical Specifications

Low Band I/P Frequency Range	10.7 ~ 11.7 GHz
LO Frequency	9.75 GHz
Noise Figure	0.7 dB Max.
High Band I/P Frequency Range	11.7 ~ 12.75
LO Frequency	10.6 C+Hz
LO Initial Accuracy	+/- 1.0
LO Temperature Drift	+/- 2.5
LO Phase Noise @ 10K Hz	-90 dBc / Hz
SCR Conversion Gain	57 dB Min.
Legacy Conversion Gain	55 dB Min.
Gain Variation	+/- 0.75 dB/27MHz
Image Rejection	40 dB Min.
Cross-pole Isolation	20 dB Min.
O/P 1 dB Compression Point	0.0 [ min. ]
O/P VSWR	2.5 : 1
Output Impedance	75Ω (F-type)
IF Channel bandwidth	60 MHz
Output IF Channel 1 (SCR0)	1210 MHz
Output IF Channel 2 (SCR1)	1420 MHz
Output IF Channel 3 (SCR2)	1680 MHz
Output IF Channel 4 (SCR3)	2040 MHz
Channel isolation	20 dB Min.
Legacy Ports	2
SCRs' Control Signals	DiSEqC command extension based on EN-50494
Legacy Switch Voltage / Frequency Control	<14.2 (V) , >15 (H) Volts / 0/22 KHz (H/L)
Legacy 22k sensitivity	220 mV [min.]
DC Power	250mA@13.5V
Working Temperature	- 30°C~ + 60°C
Weight	350g



For purpose of brevity, some product descriptions in this sheet remain at platform level and may not be referred to as detailed datasheets of the products. Inverto Digital Labs reserves the right to amend, omit or add products, product-lines, and/ or features without notice.

FTA Communication Technologies Tel. +352 264 367 1 Fax. +352 264 313 68

www.inverto.tv  
 sales@inverto.tv  
 LNBsupport@inverto.tv